

TRIAC & 0-10V (5 in 1 Dimming)

Triac dim mode: Forward phase & reverse phase, MLV, ELV
 0-10V double signals adjustment for LED color temperature

CCT & Triac / 0-10V / 1-10V / 10V PWM / Potentiometer



SMT-VTDD* Series (0-10V signal X 2CH)

V+ADJ
Adjustable
output voltage

1-2 CH
Dimming | Warm-Dim

0 - 100%
Full dimming range

PF ≥ 0.95
High
Power factor

Flicker-free
Smooth dimming

PWM
Output
Not alter LED CRI

VR
Output
Voltage Reduce

0.01%
Minimum
Load

20K
20KHz frequency
Customizable 200Hz - 20KHz

Perfect for LED fixtures



Wash wall lamp



LED Neon light



LED strip light



Track light



Linear lamp

Wiring diagram

Diagram 1 Using Triac / MLV wiring diagram

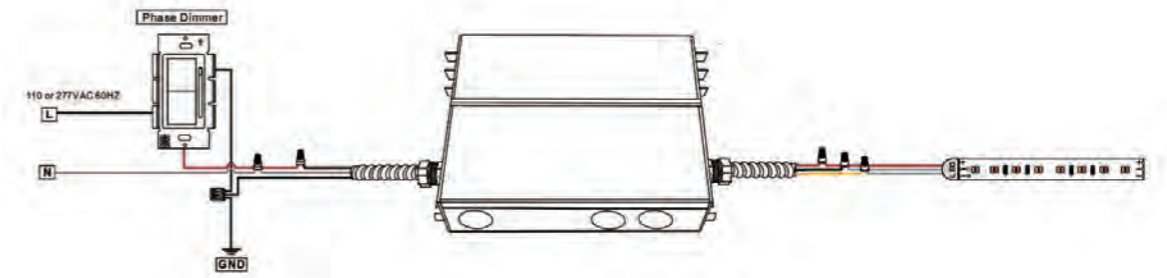


Diagram 2 Using Triac/ELV wiring diagram

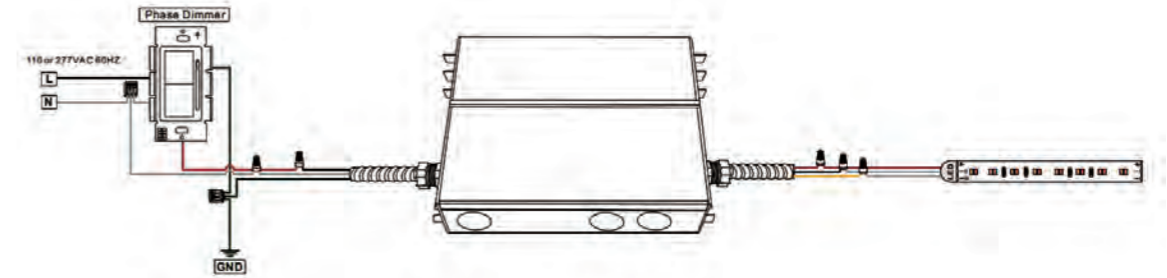


Diagram 3 Using 0-10V/1-10V dimming

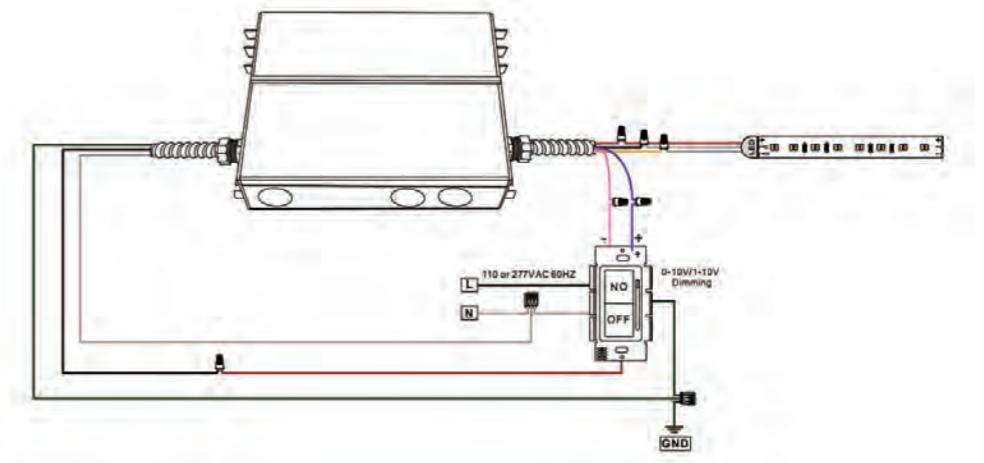
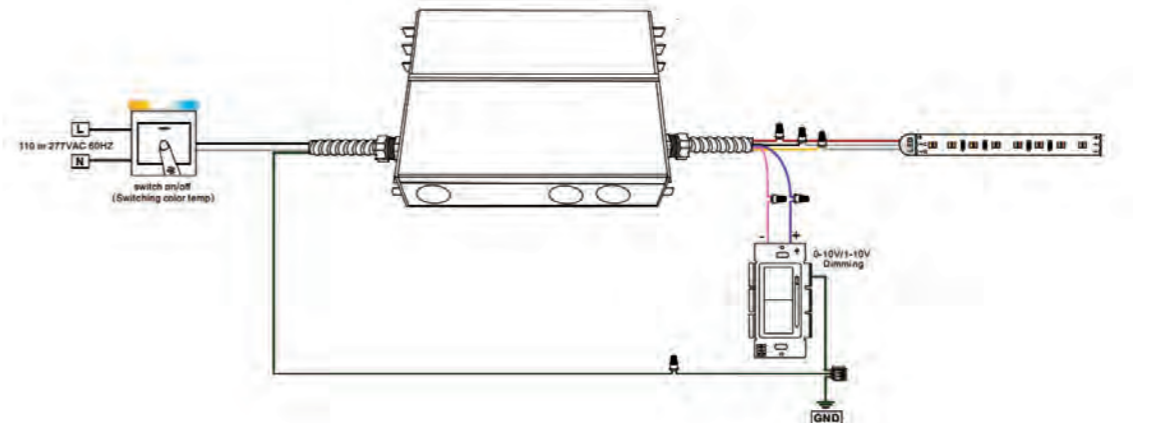


Diagram 4 Using 0-10V/1-10V dimming



Triac & 0-10V (5 in 1 Dimming)

0-10V double signals adjustment for LED color temperature

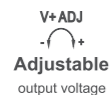
CCT & Triac / 0-10V / 1-10V / 10V PWM / Potentiometer



- 110-277Vac Universal input.
- Constant voltage type.fine tune of output voltage
- Dimming effect: PWM dim mode: 100-0.1% dim, flicker-free.
- Triac dim mode: Forward phase & reverse phase, MLV, ELV
- CCT-Tunable: Linear adjustment of color temperature/0-10V signal X 2CH, Dimming and color temperature control.
- With unique knob trim voltage function
- Customization:the curve which can be customize.
- 5 years warranty.
- Damp, dry and wet location.
- Title 24 JA8 compliant.
- Build in active PFC, typical power factor>0.95, THD<10%@120V Max. Load.
- Super low loading request, works perfect at 10-100% load.
- Short-circuit, over-temperature, over-load protection.

Fine tune voltage

- 12V output : 9V-13V
- 24V output: 17V-25V
- 48V output: 36V-49V



SMT-12030-VTDD-J



- Output Voltage:** 12V / 24V / 48V
- Power:** 30W / 60W / 80W / 96W / 100W / 120W / 150W / 180W / 192W / 200W / 288W / 300W / 384W
- VTD:** Triac & 0-10V (5 in 1) Dimming
- D:** 0-10V signal X 2CH
- P:** IP20 Plastic driver
A: IP67 Aluminum driver
J: built-in Junction box driver



Low-profile plastic driver
30W-100W
For dry and damp location



Compact aluminum driver
80W-300W
For Wet,dry and damp location



Built-in Junction box driver
30W-300W
For Wet, dry and damp location

| Power | Picture | Model | Input | Output | Waterproof rate | Others standard | |
|------------------|-------------------------|-------------------------|------------|-------------------------|-------------------------|-------------------------|-----------------|
| 30W | | SMT-12030-VTDD-P | 100-277VAC | 12V (9-13V adjustable) | Dry Damp | Class 2 Class P | |
| | | SMT-24030-VTDD-P | | 24V (17-25V adjustable) | | | |
| | | SMT-48030-VTDD-P | | 48V (36-49V adjustable) | | | |
| | | SMT-12030-VTDD-J | | 12V (9-13V adjustable) | Wet Dry Damp | Class 2 Class P TYPE HL | |
| | | SMT-24030-VTDD-J | | 24V (17-25V adjustable) | | | |
| | | SMT-48030-VTDD-J | | 48V (36-49V adjustable) | | | |
| 60W | | SMT-12060-VTDD-P | 100-277VAC | 12V (9-13V adjustable) | Dry Damp | Class 2 Class P | |
| | | SMT-24060-VTDD-P | | 24V (17-25V adjustable) | | | |
| | | SMT-48060-VTDD-P | | 48V (36-49V adjustable) | | | |
| | | SMT-12060-VTDD-J | | 12V (9-13V adjustable) | Wet Dry Damp | Class 2 Class P TYPE HL | |
| | | SMT-24060-VTDD-J | | 24V (17-25V adjustable) | | | |
| | | SMT-48060-VTDD-J | | 48V (36-49V adjustable) | | | |
| 80W | | SMT-12080-VTDD-P | 100-277VAC | 12V (9-13V adjustable) | Dry Damp | Class 2 Class P | |
| | | SMT-24080-VTDD-P | | 24V (17-25V adjustable) | | | |
| | | SMT-48080-VTDD-P | | 48V (36-49V adjustable) | | | |
| | | SMT-12080-VTDD-A | | 12V (9-13V adjustable) | Wet Dry Damp | Class 2 Class P TYPE HL | |
| | | SMT-24080-VTDD-A | | 24V (17-25V adjustable) | | | |
| | | SMT-48080-VTDD-A | | 48V (36-49V adjustable) | | | |
| 96W | | SMT-12080-VTDD-J | 100-277VAC | 12V (9-13V adjustable) | Wet Dry Damp | Class 2 Class P TYPE HL | |
| | | SMT-24080-VTDD-J | | 24V (17-25V adjustable) | | | |
| | | SMT-48080-VTDD-J | | 48V (36-49V adjustable) | | | |
| | | SMT-24096-VTDD-P | | 100-277VAC | 24V (17-25V adjustable) | Dry Damp | Class 2 Class P |
| | | SMT-48096-VTDD-P | | | 48V (36-49V adjustable) | | |
| | | | | | SMT-24096-VTDD-A | | |
| SMT-48096-VTDD-A | 48V (36-49V adjustable) | | | | | | |
| | SMT-24096-VTDD-J | | 100-277VAC | 24V (17-25V adjustable) | Wet Dry Damp | Class 2 Class P TYPE HL | |
| | SMT-48096-VTDD-J | 48V (36-49V adjustable) | | | | | |

| Power | Picture | Model | Input | Output | Waterproof rate | Others standard |
|-------|---------|------------------|------------|-------------------------|-----------------|-------------------------|
| | | SMT-12100-VTDD-P | | 12V (9-13V adjustable) | | |
| | | SMT-24100-VTDD-P | 100-277VAC | 24V (17-25V adjustable) | Dry Damp | Class 2 Class P |
| | | SMT-48100-VTDD-P | | 48V (36-49V adjustable) | | |
| 100W | | SMT-12100-VTDD-A | | 12V (9-13V adjustable) | | |
| | | SMT-24100-VTDD-A | 100-277VAC | 24V (17-25V adjustable) | Wet Dry Damp | Class 2 Class P TYPE HL |
| | | SMT-48100-VTDD-A | | 48V (36-49V adjustable) | | |
| | | SMT-12100-VTDD-J | | 12V (9-13V adjustable) | | |
| | | SMT-24100-VTDD-J | 100-277VAC | 24V (17-25V adjustable) | Wet Dry Damp | Class 2 Class P TYPE HL |
| | | SMT-48100-VTDD-J | | 48V (36-49V adjustable) | | |
| 120W | | SMT-12120-VTDD-A | | 12V (9-13V adjustable) | | |
| | | SMT-24120-VTDD-A | 100-277VAC | 24V (17-25V adjustable) | Dry Damp | Class P TYPE HL |
| | | SMT-48120-VTDD-A | | 48V (36-49V adjustable) | | |
| | | SMT-12120-VTDD-J | | 12V (9-13V adjustable) | | |
| | | SMT-24120-VTDD-J | 100-277VAC | 24V (17-25V adjustable) | Wet Dry Damp | Class P TYPE HL |
| | | SMT-48120-VTDD-J | | 48V (36-49V adjustable) | | |
| 150W | | SMT-12150-VTDD-A | | 12V (9-13V adjustable) | | |
| | | SMT-24150-VTDD-A | 100-277VAC | 24V (17-25V adjustable) | Dry Damp | Class P TYPE HL |
| | | SMT-48060-VTDD-A | | 48V (36-49V adjustable) | | |
| | | SMT-12150-VTDD-J | | 12V (9-13V adjustable) | | |
| | | SMT-24150-VTDD-J | 100-277VAC | 24V (17-25V adjustable) | Wet Dry Damp | Class P TYPE HL |
| | | SMT-48150-VTDD-J | | 48V (36-49V adjustable) | | |
| 200W | | SMT-12200-VTDD-A | | 12V (9-13V adjustable) | | |
| | | SMT-24200-VTDD-A | 100-277VAC | 24V (17-25V adjustable) | Dry Damp | Class P TYPE HL |
| | | SMT-48200-VTDD-A | | 48V (36-49V adjustable) | | |
| | | SMT-12200-VTDD-J | | 12V (9-13V adjustable) | | |
| | | SMT-24200-VTDD-J | 100-277VAC | 24V (17-25V adjustable) | Wet Dry Damp | Class P TYPE HL |
| | | SMT-48200-VTDD-J | | 48V (36-49V adjustable) | | |
| 300W | | SMT-12300-VTDD-A | | 12V (9-13V adjustable) | | |
| | | SMT-24300-VTDD-A | 100-277VAC | 24V (17-25V adjustable) | Dry Damp | Class P TYPE HL |
| | | SMT-48300-VTDD-A | | 48V (36-49V adjustable) | | |
| | | SMT-12300-VTDD-J | | 12V (9-13V adjustable) | | |
| | | SMT-24300-VTDD-J | 100-277VAC | 24V (17-25V adjustable) | Wet Dry Damp | Class P TYPE HL |
| | | SMT-48300-VTDD-J | | 48V (36-49V adjustable) | | |

SMT-H12030-VTDD-J

- 1 2 3 4 5 6

- 1 Class 2 unit & multiple channels
- 2 Output Voltage: 12V / 24V / 48V
- 3 Power: 120W / 180W / 192W / 288W / 300W / 384W
- 4 VTD: Triac & 0-10V (5 in 1) Dimming
- 5 D: 0-10V signal X 2CH
- 6 A: IP67 Aluminum driver
J: built-in Junction box driver



| Power | Picture | Model | Input | Output | Channels | Waterproof rate | Others standard |
|-------|---------|-------------------|------------|-------------------------|----------|-----------------|-------------------------|
| 120W | | SMT-H12120-VTDD-A | 100-277VAC | 12V (9-13V adjustable) | 2 CH | Dry Damp | Class 2 Class P TYPE HL |
| | | SMT-H12120-VTDD-J | 100-277VAC | 12V (9-13V adjustable) | 2 CH | Dry Damp | Class 2 Class P TYPE HL |
| 180W | | SMT-H12180-VTDD-A | 100-277VAC | 12V (9-13V adjustable) | 3 CH | Dry Damp | Class 2 Class P TYPE HL |
| | | SMT-H12180-VTDD-J | 100-277VAC | 12V (9-13V adjustable) | 3 CH | Dry Damp | Class 2 Class P TYPE HL |
| 192W | | SMT-H24192-VTDD-A | 100-277VAC | 24V (17-24V adjustable) | 2 CH | Dry Damp | Class 2 Class P TYPE HL |
| | | SMT-H24192-VTDD-J | 100-277VAC | 24V (17-24V adjustable) | 2 CH | Dry Damp | Class 2 Class P TYPE HL |
| 288W | | SMT-H24288-VTDD-A | 100-277VAC | 24V (17-24V adjustable) | 3 CH | Dry Damp | Class 2 Class P TYPE HL |
| | | SMT-H24288-VTDD-J | 100-277VAC | 24V (17-24V adjustable) | 3 CH | Dry Damp | Class 2 Class P TYPE HL |
| 300W | | SMT-H12300-VTDD-A | 100-277VAC | 12V (9-13V adjustable) | 5 CH | Dry Damp | Class 2 Class P TYPE HL |
| | | SMT-H12300-VTDD-J | 100-277VAC | 12V (9-13V adjustable) | 5 CH | Dry Damp | Class 2 Class P TYPE HL |
| 384W | | SMT-H24384-VTDD-A | 100-277VAC | 24V (17-25V adjustable) | 4 CH | Dry Damp | Class 2 Class P TYPE HL |
| | | SMT-H24384-VTDD-J | 100-277VAC | 24V (17-25V adjustable) | 4 CH | Dry Damp | Class 2 Class P TYPE HL |